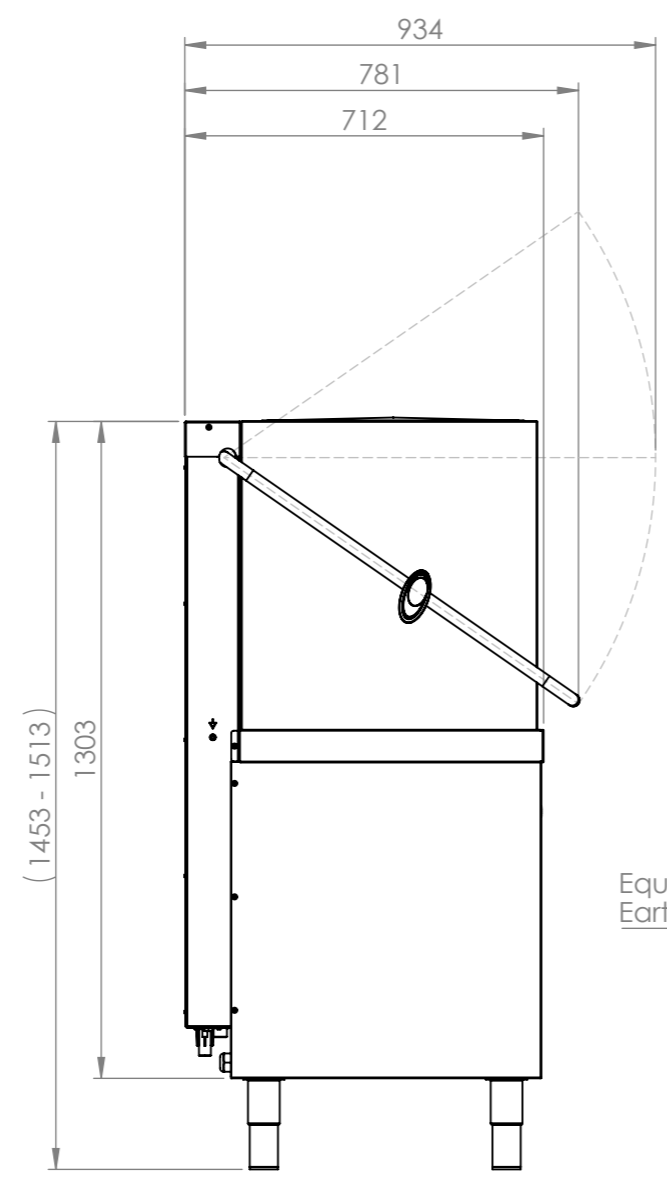
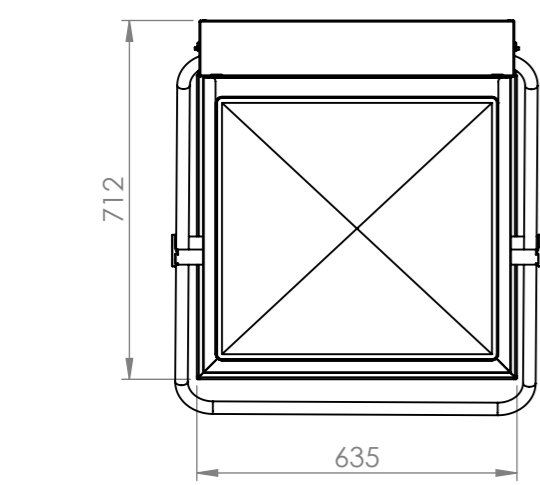
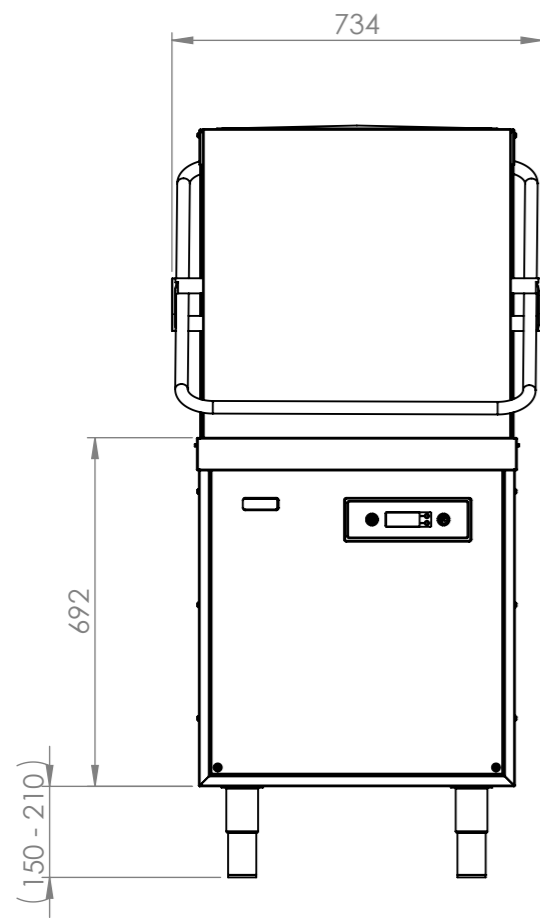
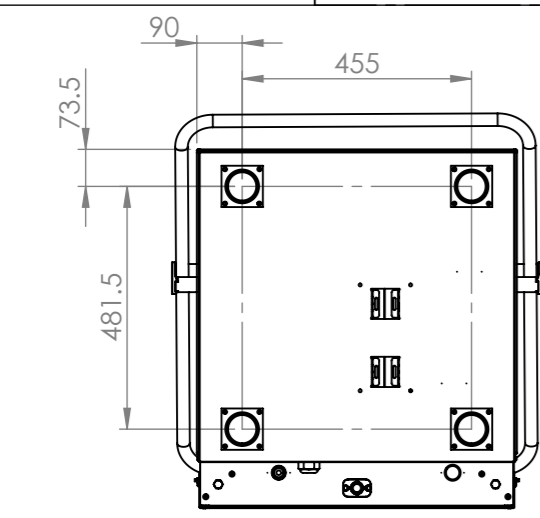
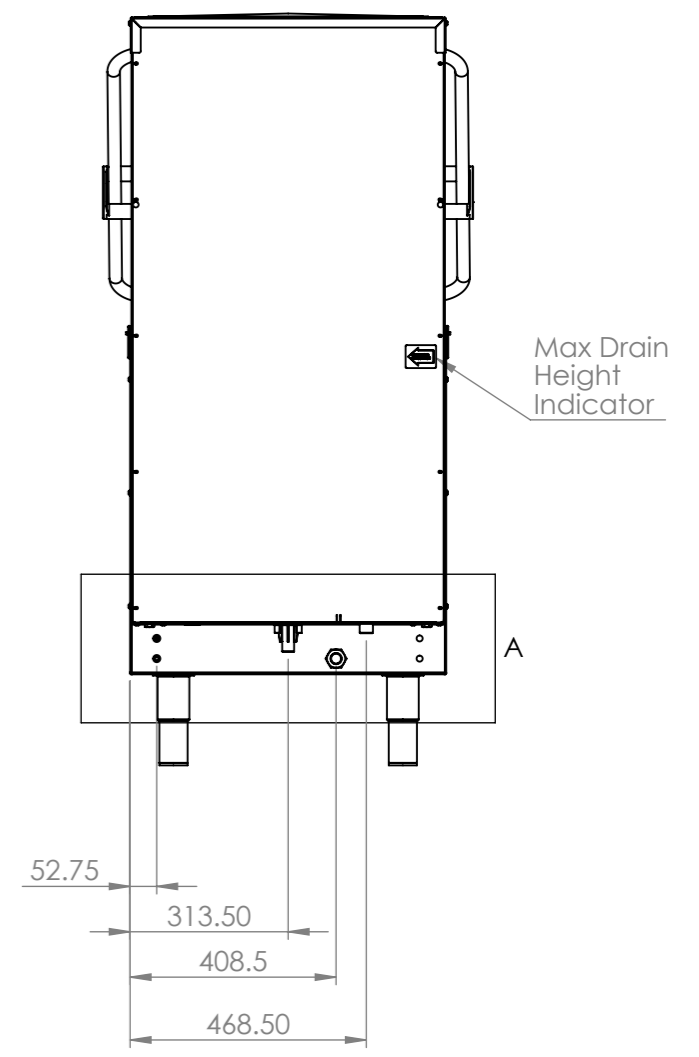
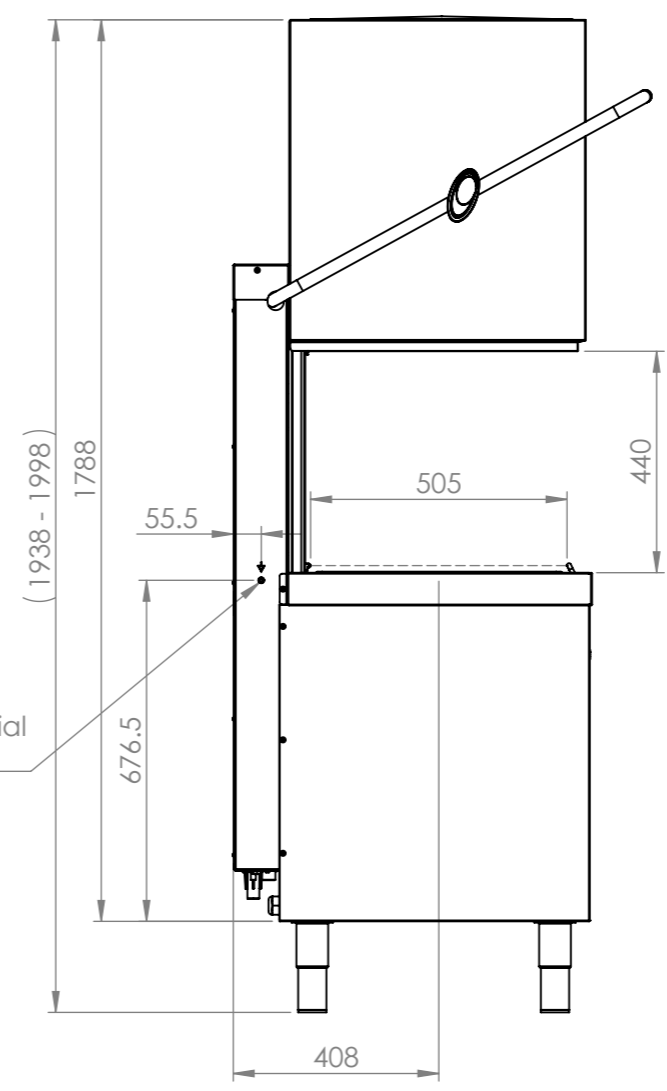


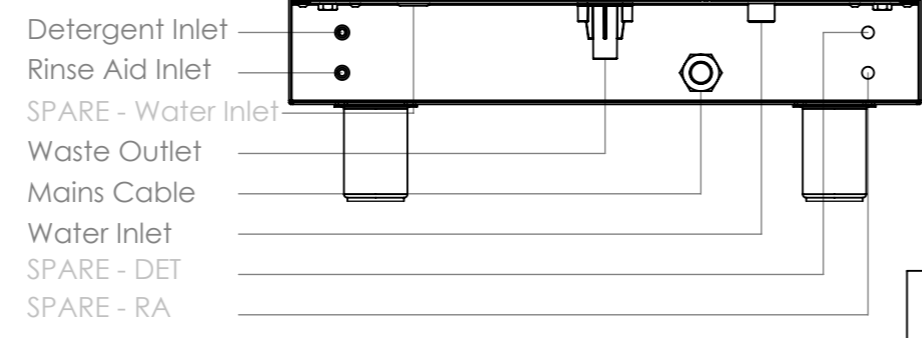
REVISIONS				
ECI	REV.	COMMENT	DATE	BY
	A	Initial release	25/03/2020	A. Brazier



Equi-potential Earth Point



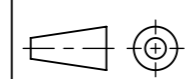
DETAIL A
SCALE 2 : 15



NAME		DATE	STATUS:	
DRAWN AB		25/03/2020	Production	
MATERIAL:		N/A	DESCRIPTION:	
FINISH:		N/A	GA - Pass-through (yr2020 wk11)	
DO NOT SCALE 3D DATA IS MASTER DIMENSIONING WITH REFERENCE TO BS8888		SIZE A3	DRAWING NO.: 90001189	REV.: A
WEIGHT: 120Kg		SCALE:1:15	Sheet 1 of 1	
OUTSIDE DIMS.: H: W: D:				

CLASSEQ
Classeq Ltd.
Classeq House
Beacon Business Park
Beacon Way
Stafford
ST18 0DG
United Kingdom

IF IN DOUBT ASK



General Notes: