



Spares manual

C400

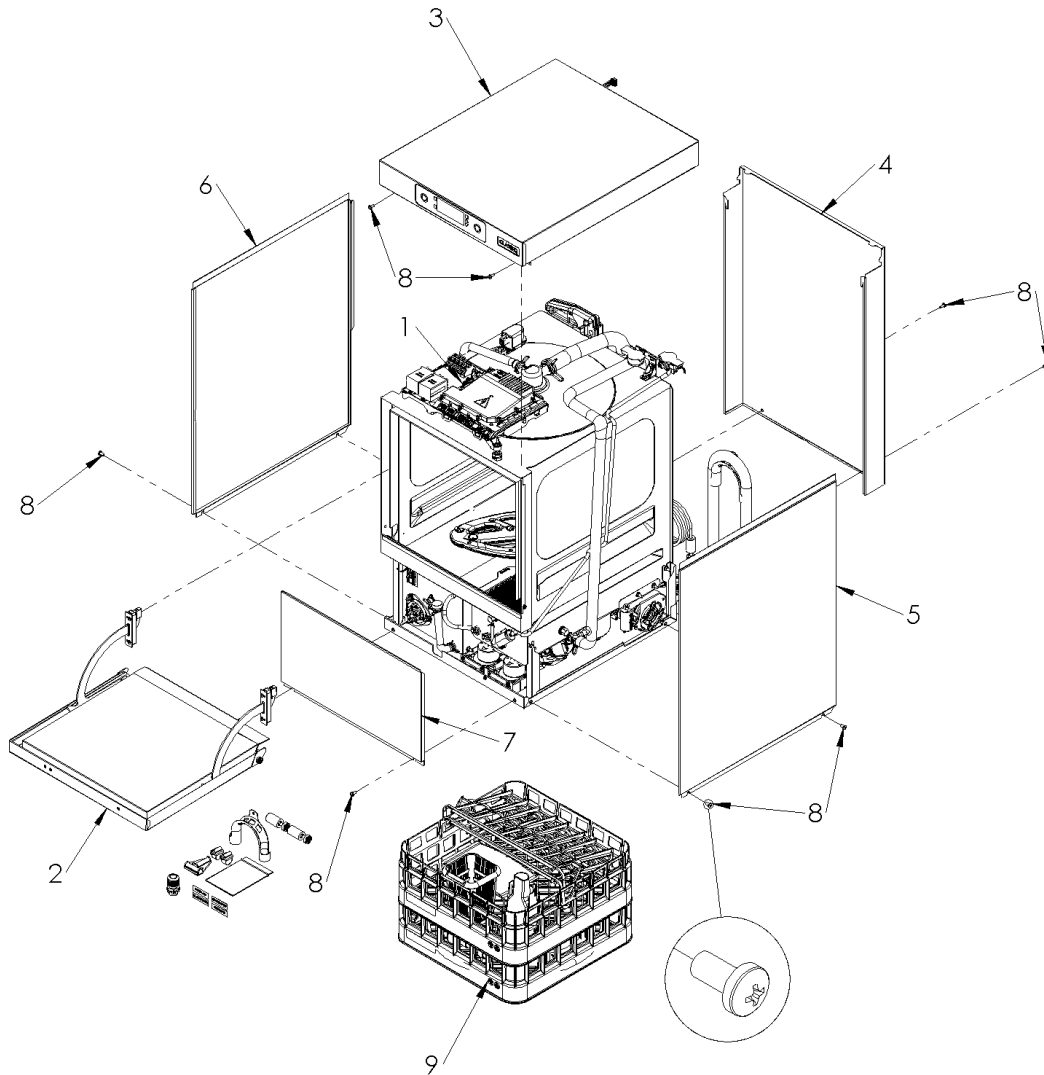
90001707

Revision: A

Table of contents for C400

C400	1
1. Machine Assembly – C400	4
2. Top Panel Assembly – 400 (30018807)	6
3. Door Parts Assembly – 400	8
4. Frame Assembly – C400	10
5. Cabinet Assembly – C400	12
6. Filtration – 400	14
7. Fill System – C400	16
8. Boiler Assembly – Spares (30018802)	18
9. Wash, Rinse & Drain System – 400	20
10. Sump Assembly	22
11. Base Assembly – 400	24
12. Rinse Aid Pump (30018088)	26
13. Detergent Pump (30018087)	28
14. Control Assembly	30
15. Accessories – 400	32
16. Mains Cables	34
17. Fastener Kit (30018806)	34
18. 60Hz Pump Variants	34

1. Machine Assembly – C400

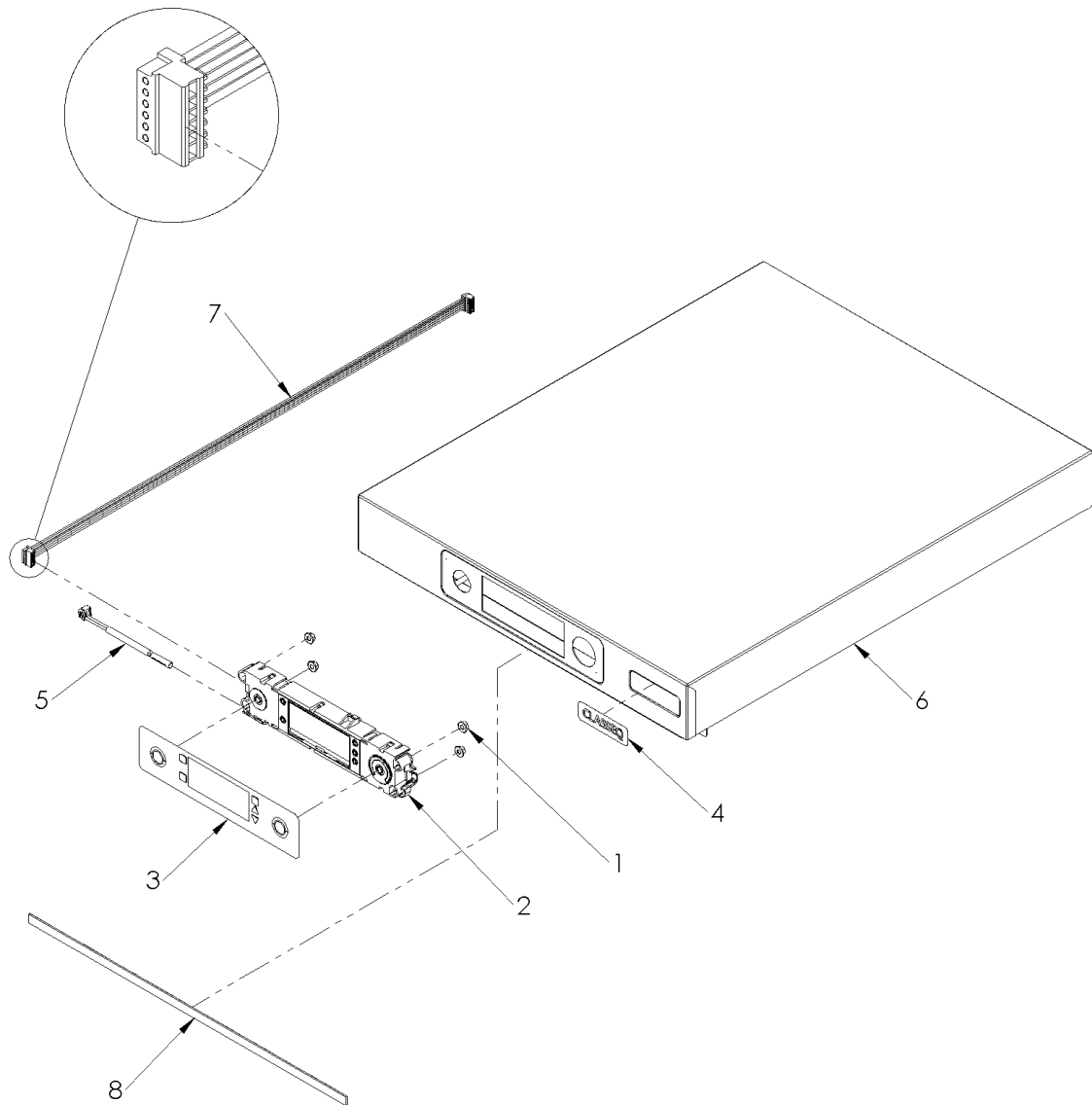


90001662-A

1. Machine Assembly – C400 – BOM

Item	Description	Part number	QTY.	Note
1	Frame Assembly STD 400mm		1	Further Part breakdown of assembly available in Manual
2	Door Parts Assembly		1	Further Part breakdown of assembly available in Manual
3	400mm Top panel Assembly Spares	30018807	1	
4	Rear Panel 400mm	30018051	1	
5	Side Panel Right 400mm	30018052	1	
6	Side Panel Left 400mm	30018053	1	
7	Front Panel 400mm	30018054	1	
8	M5 x10mm Posi Head Screw		10	Available with Fastener Kit
9	UC Accessories - 400		1	

2. Top Panel Assembly – 400 (30018807)

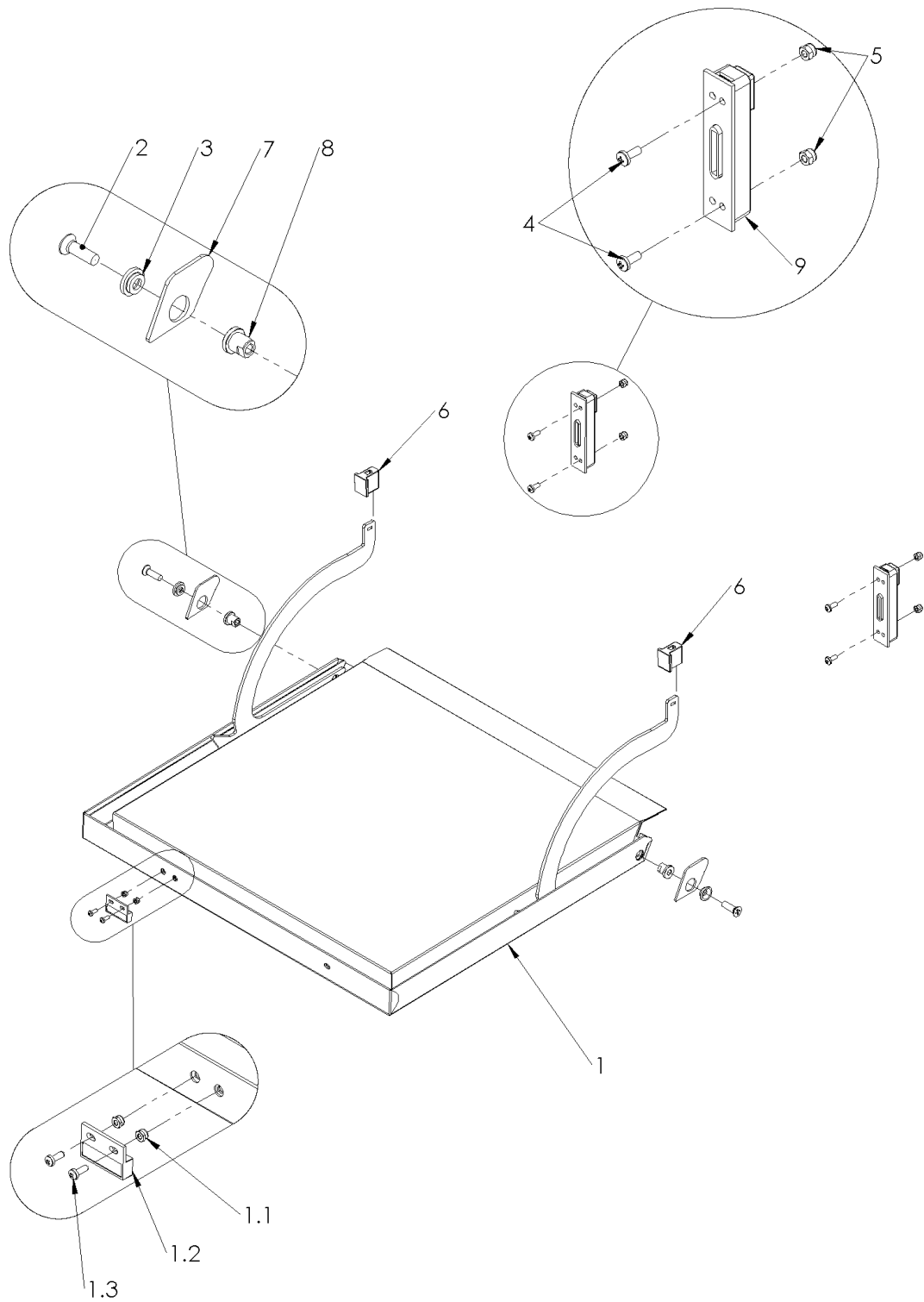


30018807-A

2. Top Panel Assembly – 400 – BOM

Item	Description	Part number	QTY.	Note
1	M5 Flange nut (DIN 6923)		4	Available with Fastener Kit
2	Display Unit (Programmed)	30018917	1	
3	Fascia	30018124	1	
4	CLASSEQ badge	30018290	1	
5	Door switch	30018123	1	
6	Top Panel 400mm		1	
7	UI Harness	30017998	1	
8	400mm Foam seal	30011635	1	

3. Door Parts Assembly – 400

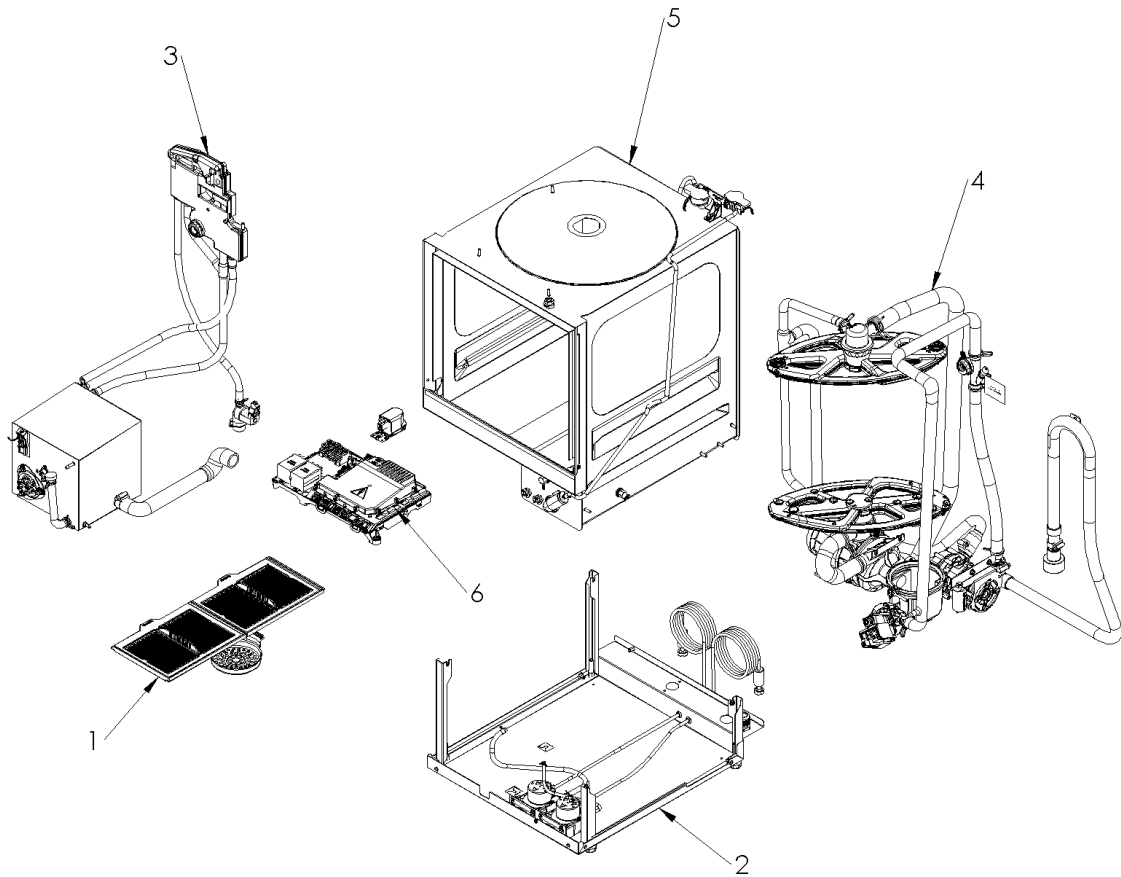


90001651-A

3. Door Parts Assembly – 400 – BOM

Item	Description	Part number	QTY.	Note
1	400mm Door Assembly Spares	30018808	1	
1.1	M3 Thin Nylock nut (ISO 10511)		2	Available with Fastener Kit
1.2	M3x8 Pozi Pan screw A4		2	Available with Fastener Kit
1.3	Door magnet	30000981	1	
2	M6x20 pozi CSK Screw A4		2	Available with Fastener Kit
3	Locking Panel Pin	30018044	2	
4	M4 x 10mm Posi pan head screw		4	Available with Fastener Kit
5	M4 Nylock nut (ISO 7040)		4	Available with Fastener Kit
6	Door Hinge cap	30018098	2	
7	Door corner bracket	30006015	2	
8	Door Pivot	30018060	2	
9	Hinge Assembly Spares	30018801	2	

4. Frame Assembly – C400

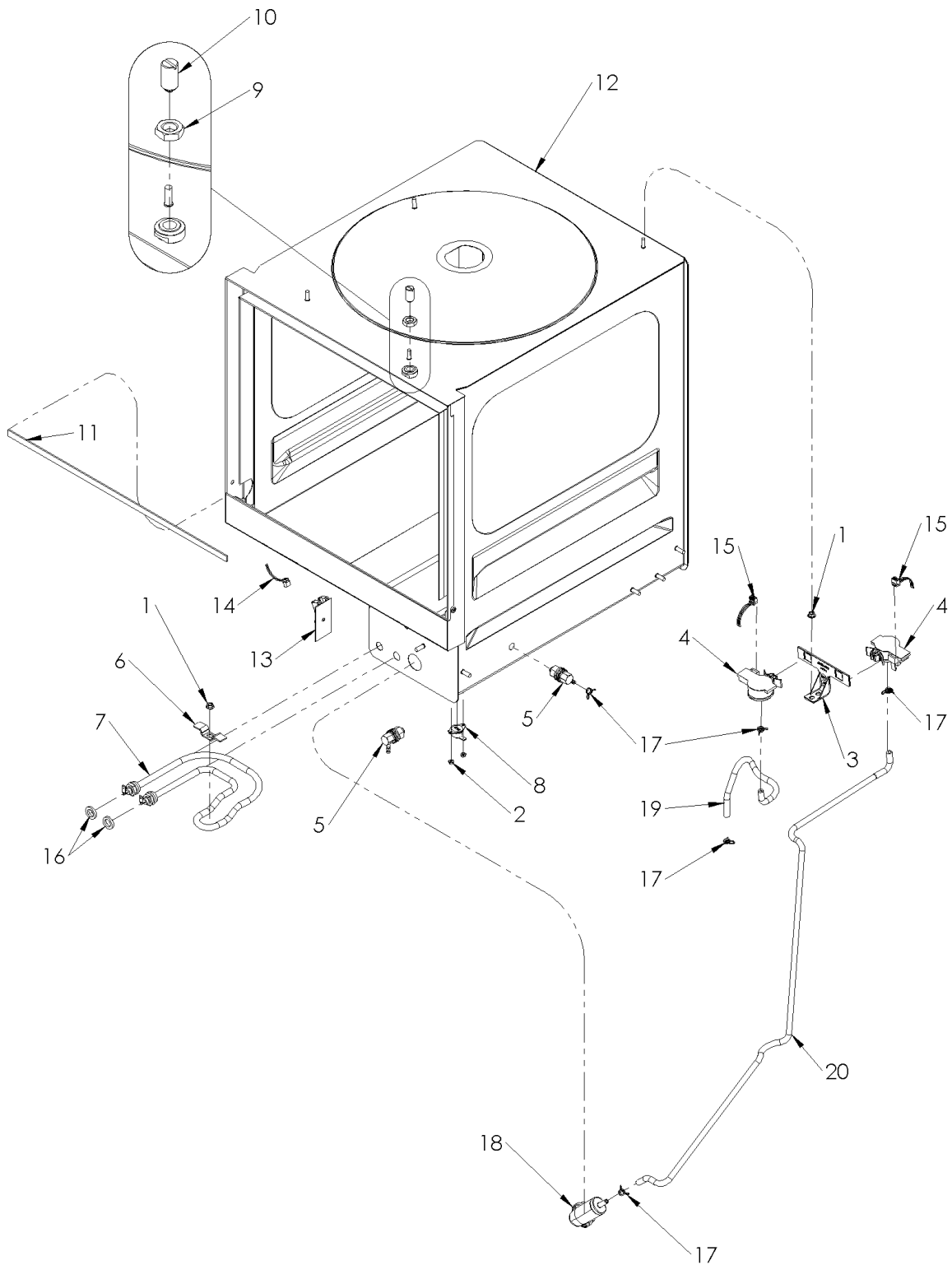


90001661-A

4. Frame Assembly – C400 – BOM

Item	Description	Part number	QTY.	Note
1	Filtration 400mm		1	Further Part breakdown of assembly available in Manual
2	Base Assembly 400mm		1	Further Part breakdown of assembly available in Manual
3	Fill System STD 400mm		1	Further Part breakdown of assembly available in Manual
4	Wash Rinse & Drain System 400mm		1	Further Part breakdown of assembly available in Manual
5	Cabinet Assembly STD 400mm		1	Further Part breakdown of assembly available in Manual
6	Control Assembly		1	Further Part breakdown of assembly available in Manual

5. Cabinet Assembly – C400

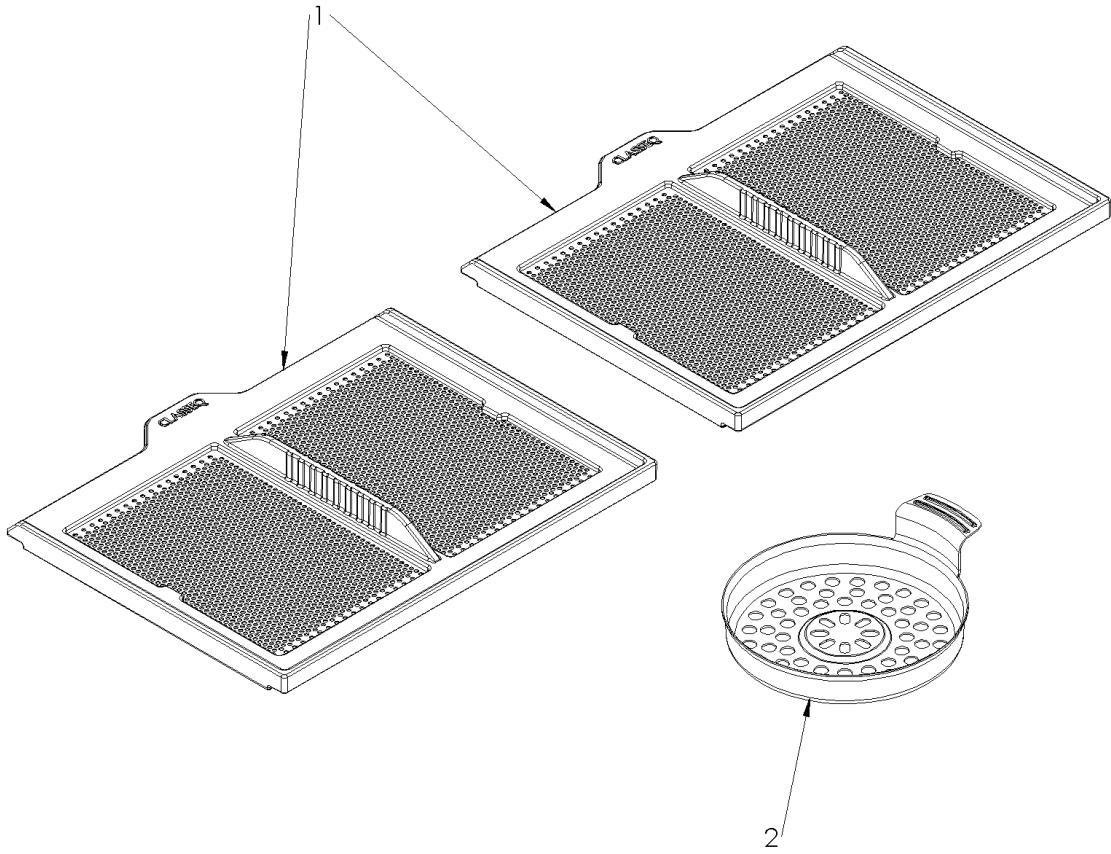


90001660-A

5. Cabinet Assembly – C400 – BOM

Item	Description	Part number	QTY.	Note
1	M5 Flange nut (DIN 6923)		1	Available with Fastener Kit
2	M3 Flange nut (DIN 6923)		2	Available with Fastener Kit
3	Air Pressure Sensor - Plastic Mount	60004493	2	
4	Pressure sensor	3126044	1	
5	Detergent inlet fitting	30011822	2	
6	Wash Element Retaining Bracket	30006126	2	
7	Wash Element 2kW	30018105	1	Includes 2x Washers & 2x M12 fine thread thin nut
8	Overheat stat 1 Pole 85°C	30018106	1	
9	M12 Thin nut	30001070	1	
10	Ball catch - M12	30001064	1	
11	400mm Foam seal	30011635	1	
12	Cabinet STD 400mm		1	Not available as a spare
13	Kit thermo sensor	30002179	1	
14	KIT MACRO-MODULE PLUG SIZE 2,5 2-POLE	30000197	1	
15	KIT MACRO-MODULE PLUG SIZE 2,5 3-POLE	30000198	1	
16	Wash element fibre washer 19mmx3mm	30014272	2	
17	Spring Clip - Ø7.8mm to Ø8.3mm	30001083	2	
18	Kit air pressure chamber	60003525	5	
19	Rinse APS Tube - UC	30011883	1	
20	Wash APS Tube - 400 / 500	30014330	1	

6. Filtration – 400

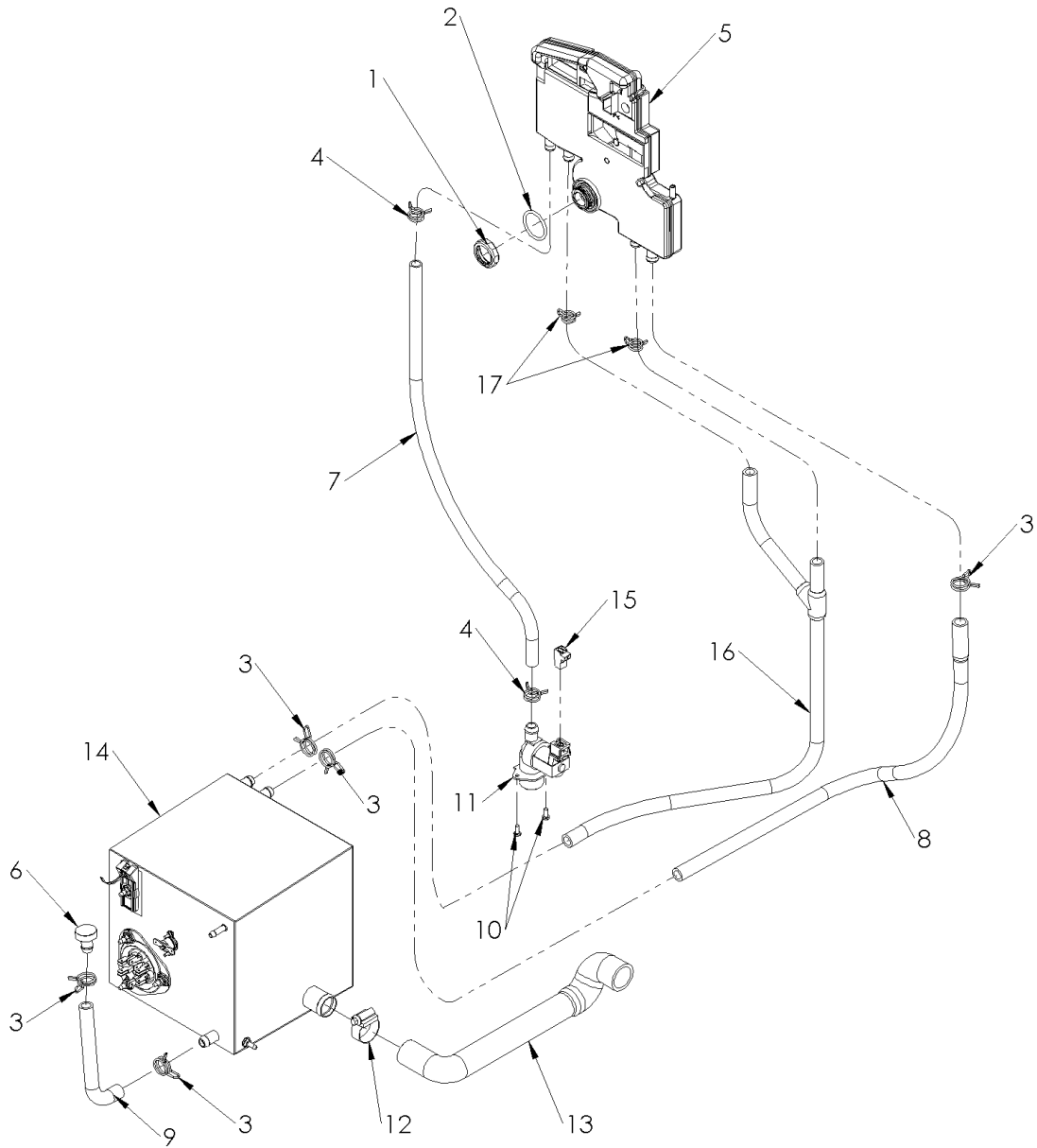


90001658-A

6. Filtration – 400 – BOM

Item	Description	Part number	QTY.	Note
1	Primary Filter 400mm	30017902	2	
2	Secondary Filter Stainless steel	30017864	1	

7. Fill System – C400

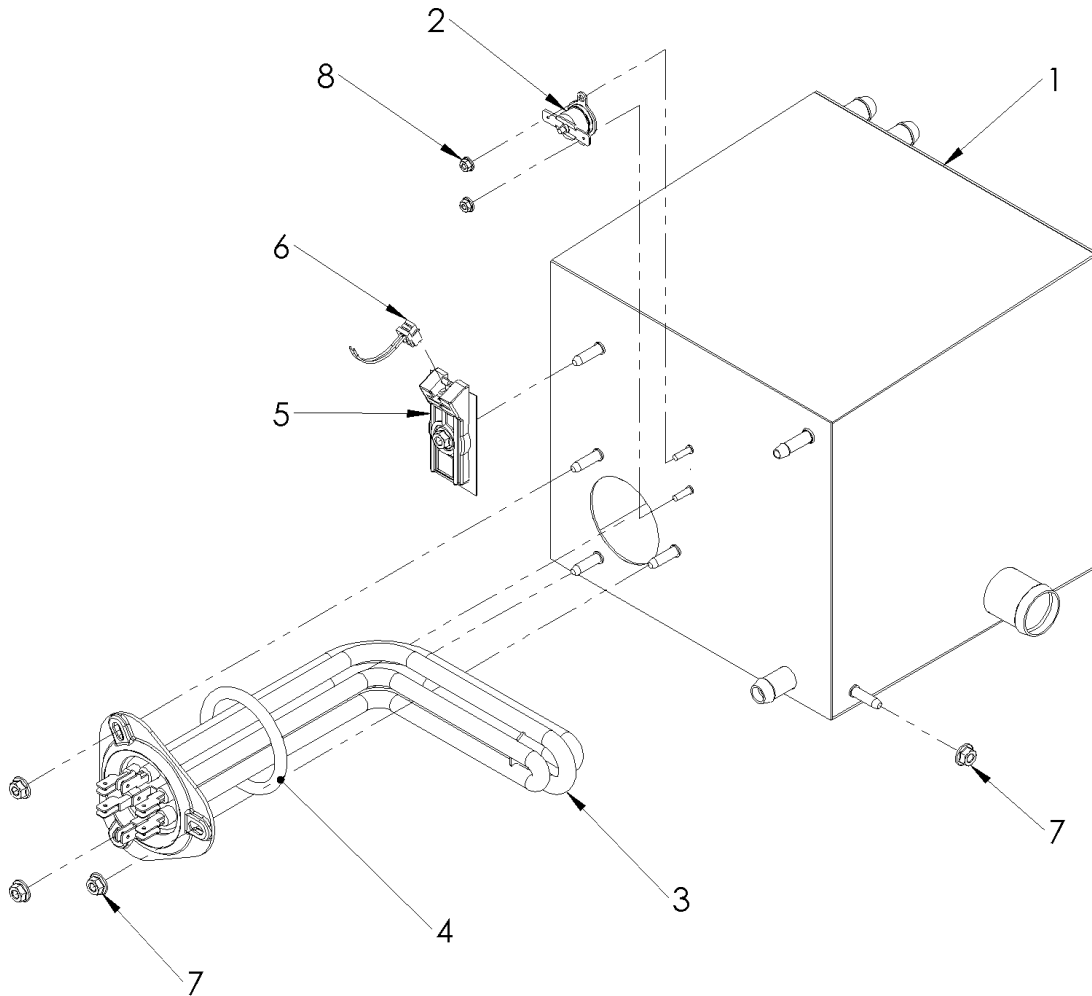


90001659-A

7. Fill System – C400 – BOM

Item	Description	Part number	QTY.	Note
1	Nut (Mutter)	60004612	1	
2	O-ring - Ø30mmx3mm	30012629	1	
3	Spring clip - Ø17.3mmx1.8	2802353	5	
4	Spring clip - Ø14.8mm X1.8	2802344	2	
5	Airbreak WS	30017873	1	
6	Tube plug	70007962	1	
7	Solenoid to air gap hose	30011747	1	
8	Hose Breather 400mm	30017970	1	
9	Hose - Boiler Drain - 400mm	30017967	1	
10	M4 x 10mm Posi pan head screw		2	Available with Fastener Kit
11	Solenoid valve - RAST 5 - 4L/min	3106210	1	
12	J Clip (20-32) W2-12mm with Posi Drive	30018878	1	
13	Rinse Inlet Hose 400mm	30017982	1	
14	Boiler Assembly Spares	30018802	1	
15	MACRO-MODULE PLUG5, 5-POLE	3112091	1	
16	Hose - Boiler fill STD - 400mm	30017974	1	
17	Spring clip - Ø12.8mm to Ø15mm	30006121	2	

8. Boiler Assembly – Spares (30018802)

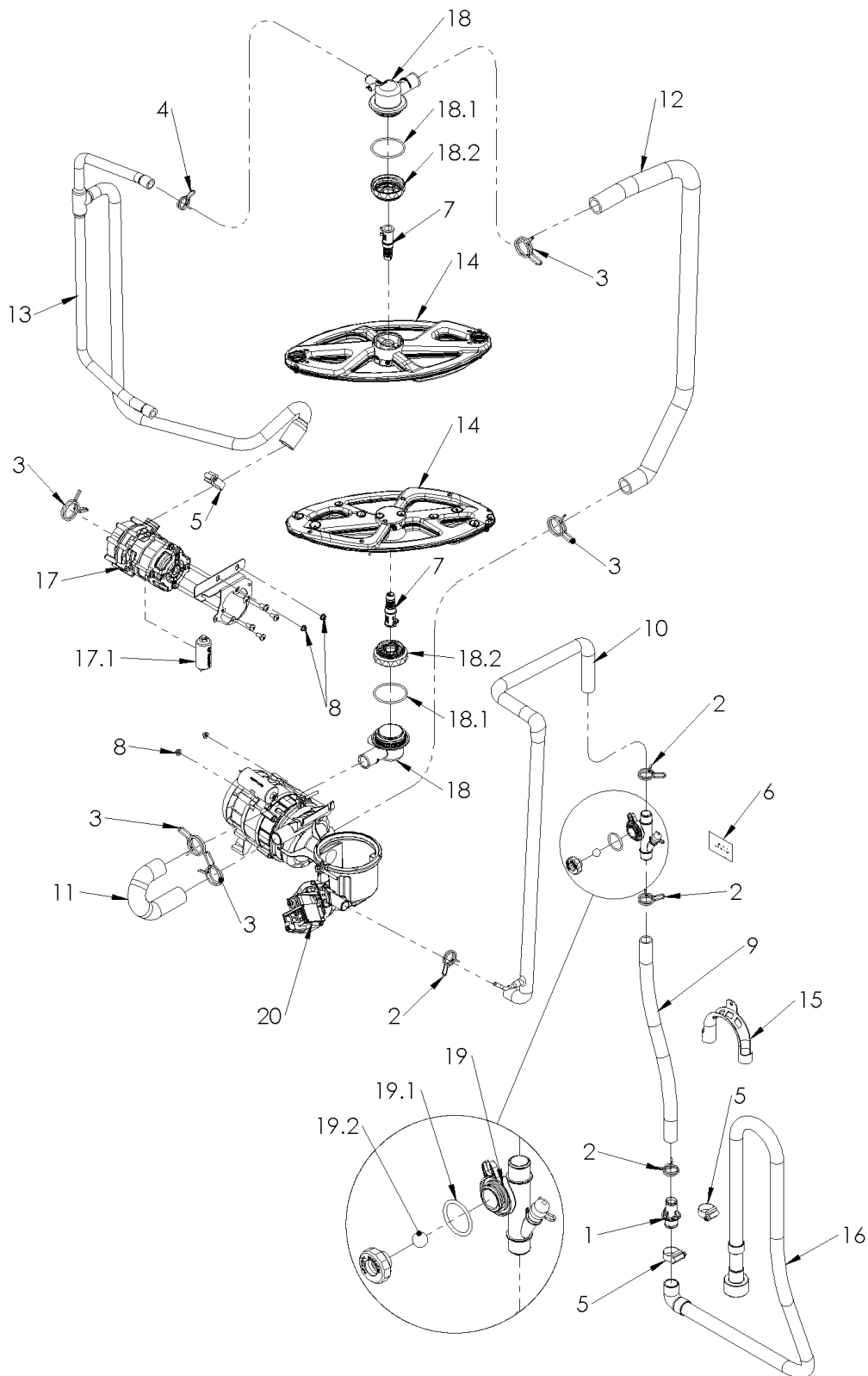


30018802-A

8. Boiler Assembly – Spares – BOM

Item	Description	Part number	QTY.	Note
1	Rinse Boiler 6.5L		1	
2	Overheat stat 1 Pole 95°C	30018117	1	
3	Rinse Element 6kW	30018118	1	
4	O-Ring - Ø46 x Ø6	30000947	1	
5	Kit thermo sensor	30002179	1	
6	KIT MACRO-MODULE PLUG SIZE 2,5 2-POLE	30000197	1	
7	M5 Flange nut (DIN 6923)		4	Available with Fastener Kit
8	M3 Flange nut (DIN 6923)		2	Available with Fastener Kit

9. Wash, Rinse & Drain System – 400

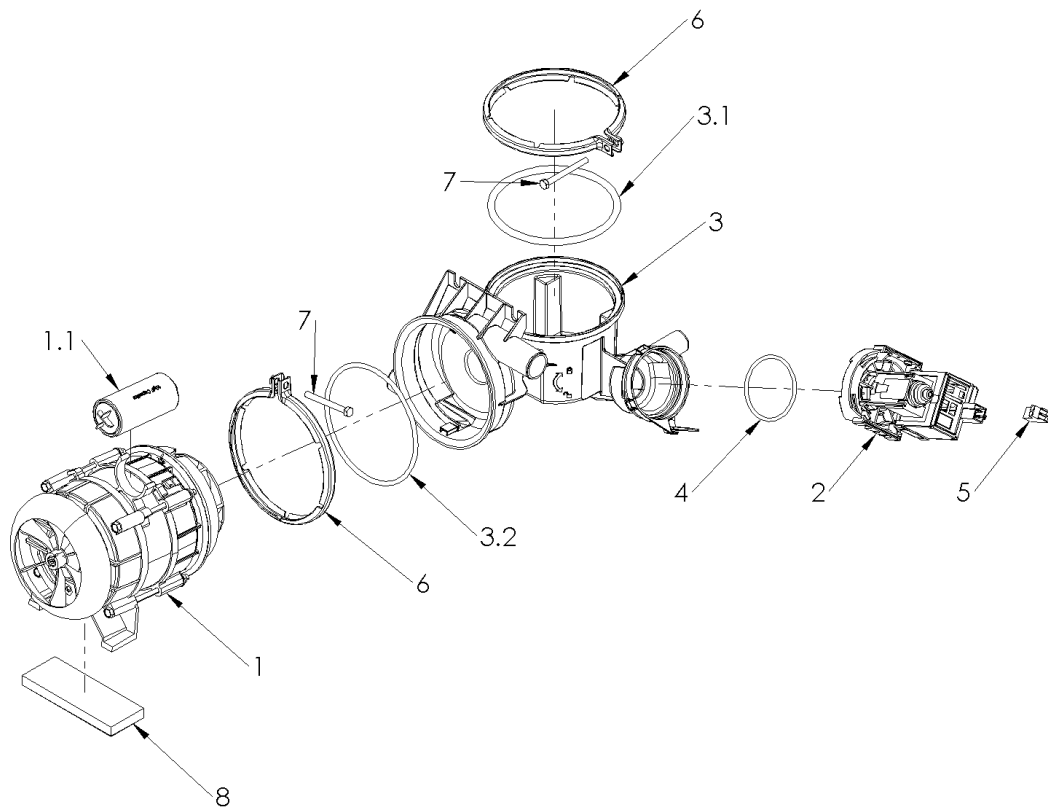


90001655-A

9. Wash, Rinse & Drain System – 400 – BOM

Item	Description	Part number	QTY.	Note
1	Drain Double Nipple	60004609	1	
2	Wire Hose Clip (D24.2 x 2.2)	2802358	4	
3	Spring Clip D32,7 X 2,8	2802362	5	
4	Spring Clip D21,2 X 2,0	2802355	2	
5	J Clip (20-32) W2-12mm with Posi Drive	30018878	1	
6	Drain height sticker	30012368	1	
7	Wash field Spindle	60003169	2	
8	M5 Flange nut (DIN 6923)		4	Available with Fastener Kit
9	Drain Outlet Antisyphon 400mm	30017984	1	
10	Hose - Drain Outlet - 400mm	30017976	1	
11	Hose - Wash Outlet bottom - 400mm	30017965	1	
12	Hose - Wash outlet Top - 400mm	30017964	1	
13	Hose - Rinse Outlet - 400mm	30017963	1	
14	Wash & Rinse Arm - 400	62004402	2	
15	Hook for drain hose	30006231	1	
16	Drain Hose 2M	60003759	1	
17	Rinse Pump Assembly 50hz	30018085	1	
17.1	5µF Capacitor	30011583	1	Includes washer & nut
18	STD Centre Boss Assembly	30017896	1	
18.1	O-Ring [56 X 3,0]	30014174	1	
18.2	Locking Nut - Centre Boss	60004870	1	
19	Kit drain air break	30013404	1	
19.1	O-ring - Ø30mmx3mm	30012629	1	
19.2	Drain Air break Ball	2801508	1	
20	Sump Assembly		1	Further Part breakdown of assembly available in Manual

10. Sump Assembly

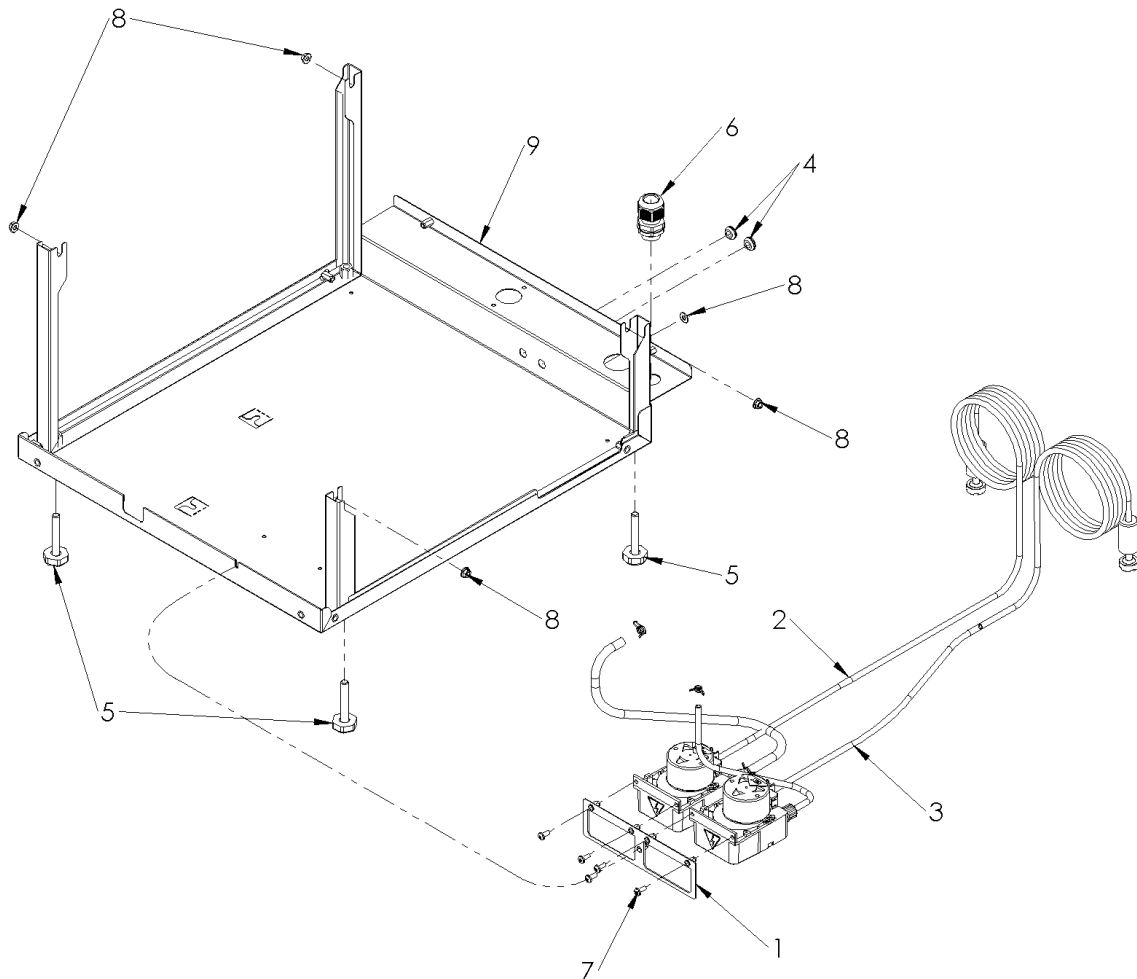


90001787-A

10. Sump Assembly – BOM

Item	Description	Part number	QTY.	Note
1	Wash Pump Assembly 50hz	30018091	1	
1.1	10 μ F Capacitor	30002509	1	
1.2	12.5 μ F Capacitor	30011582	1	
2	Drain Pump 50hz	30018090	1	
3	Sump kit	30018803	1	
3.1	O-ring 104 x6 EPDM60	30018095	1	
3.2	O-ring 105 x4	30018094	1	
4	Drain pump O-RING	30018814	1	
5	MACRO-MODULE PLUG5, 5-POLE	3112091	1	
6	V band clamp	30017866	2	
7	M5 x 50 hex head screw (ISO 4017)		2	Available with Fastener Kit
8	Foam Pad - Wash Pump	30018911	1	

11. Base Assembly – 400

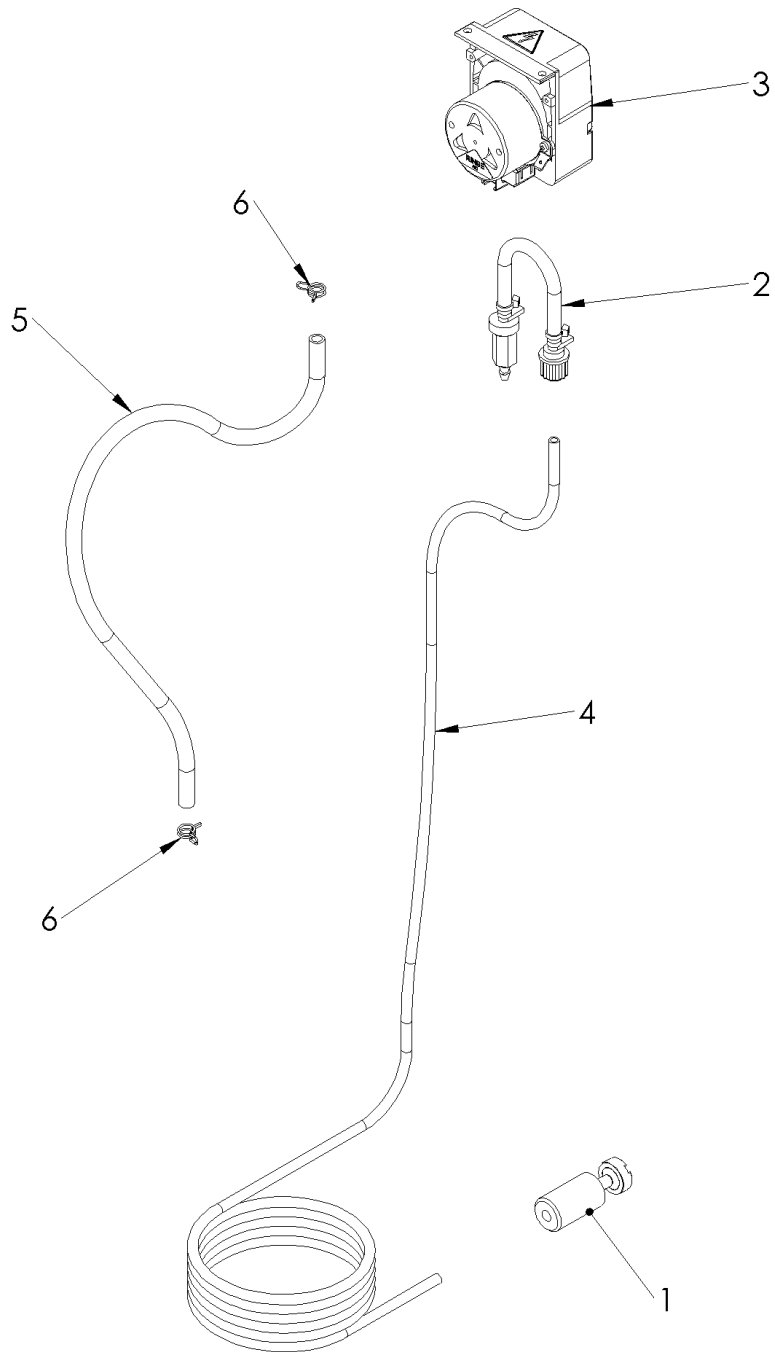


90001654-A

11. Base Assembly – 400 – BOM

Item	Description	Part number	QTY.	Note
1	Chemical Pump Bracket	30018046	1	
2	Rinse Aid Pump Assembly	30018088	1	
3	Detergent Pump Assembly	30018087	1	
4	Chemical tube grommet	30002141	1	
5	Adjustable Foot	62003652	1	
6	M20 Cable gland	30001815	1	
7	M4 x 10mm Posi pan head screw		2	Available with Fastener Kit
8	M5 Flange nut (DIN 6923)		4	Available with Fastener Kit
9	UC 400 base assembly		1	Not available as a spare

12. Rinse Aid Pump (30018088)

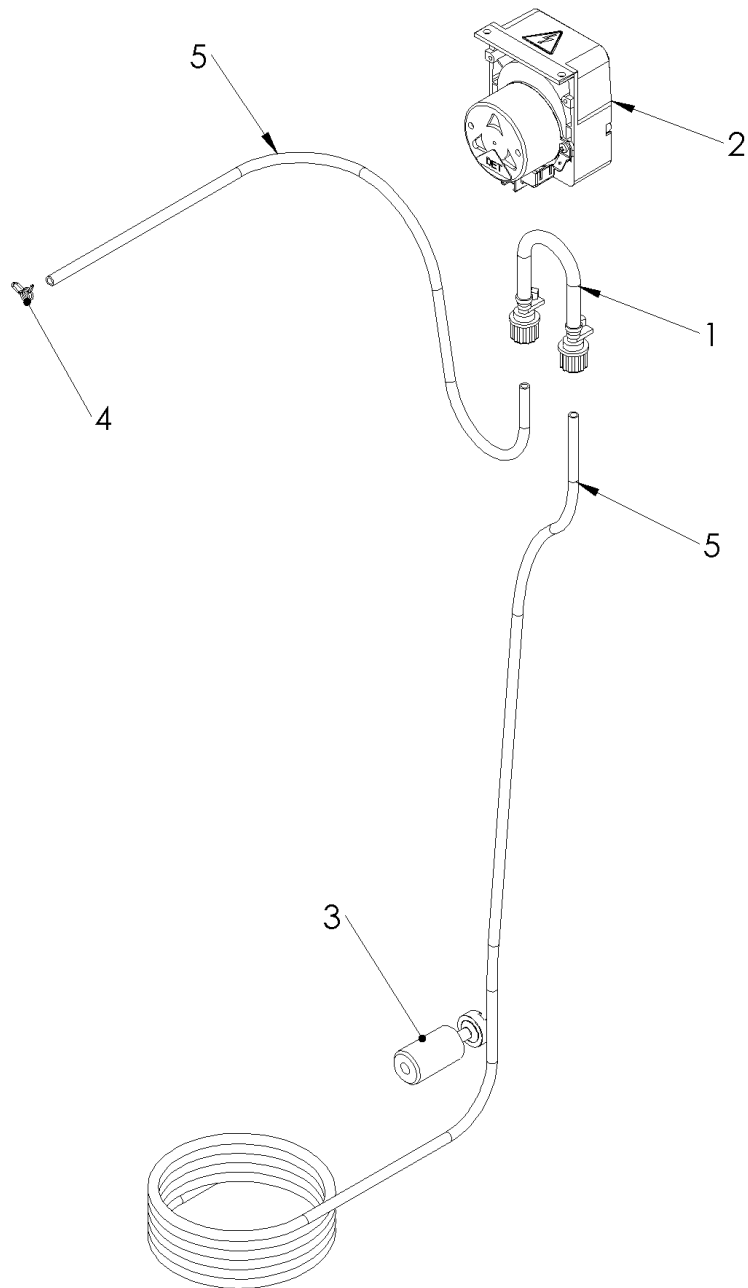


30018088-A

12. Rinse Aid Pump – BOM

Item	Description	Part number	QTY.	Note
1	Bottle weight kit	30012370	1	
2	Rinse Aid internal tube assembly	30018809	1	
3	Rinse Aid Housing		1	
4	Rinse Aid tube 4m	30018810	1	
5	Rinse Aid Outlet 1M	30018811	1	
6	Spring clip - Ø8.8mm to Ø9.3mm	30011994	2	

13. Detergent Pump (30018087)

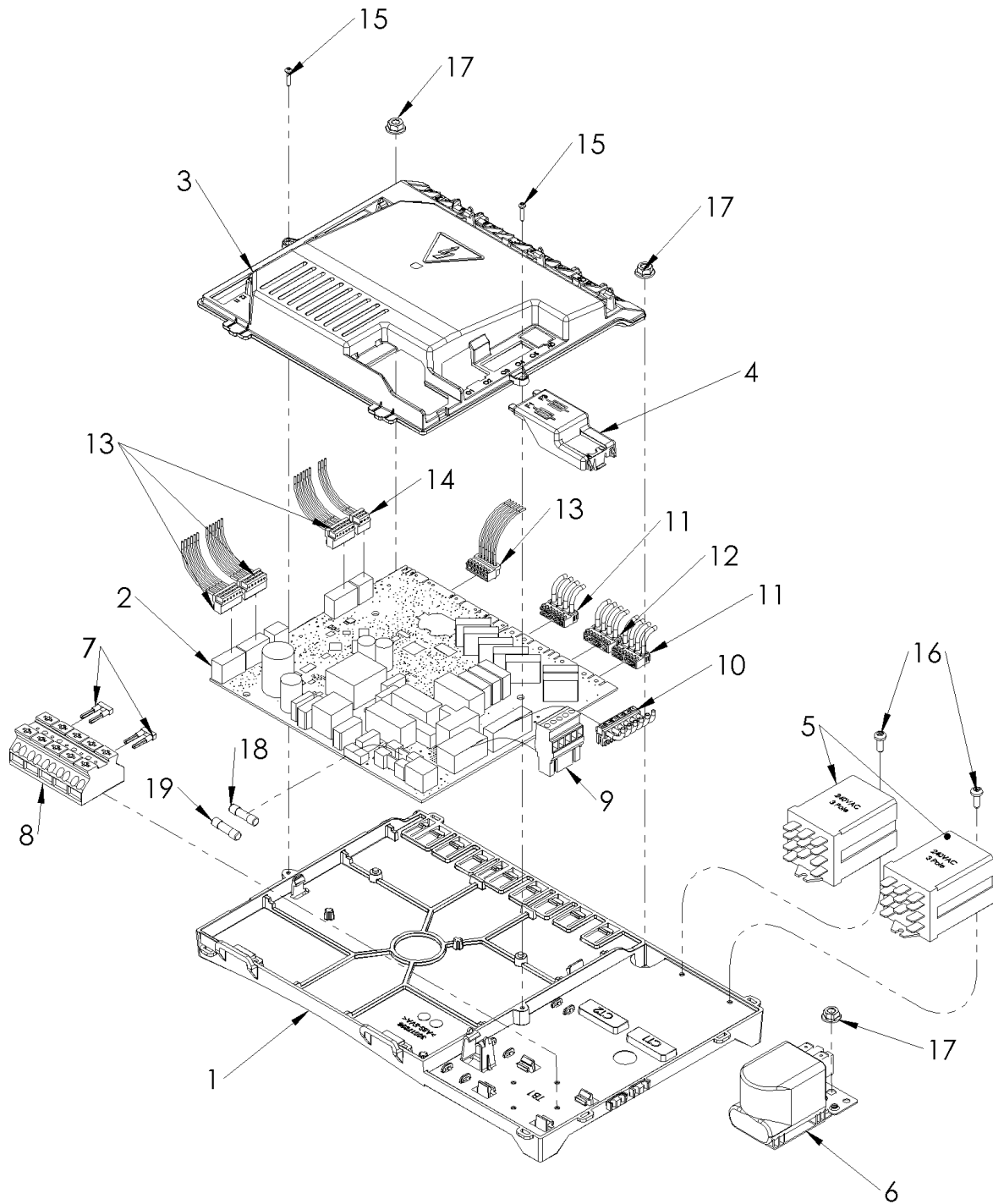


30018087-A

13. Detergent Pump – BOM

Item	Description	Part number	QTY.	Note
1	DET Internl tube Asembly	30018812	1	
2	Det Pump Housing		1	
3	Bottle weight kit	30012370	1	
4	Spring clip - Ø6.6mm to Ø7mm	30011995	1	
5	Detergent tube 4M	30018813	1	

14. Control Assembly

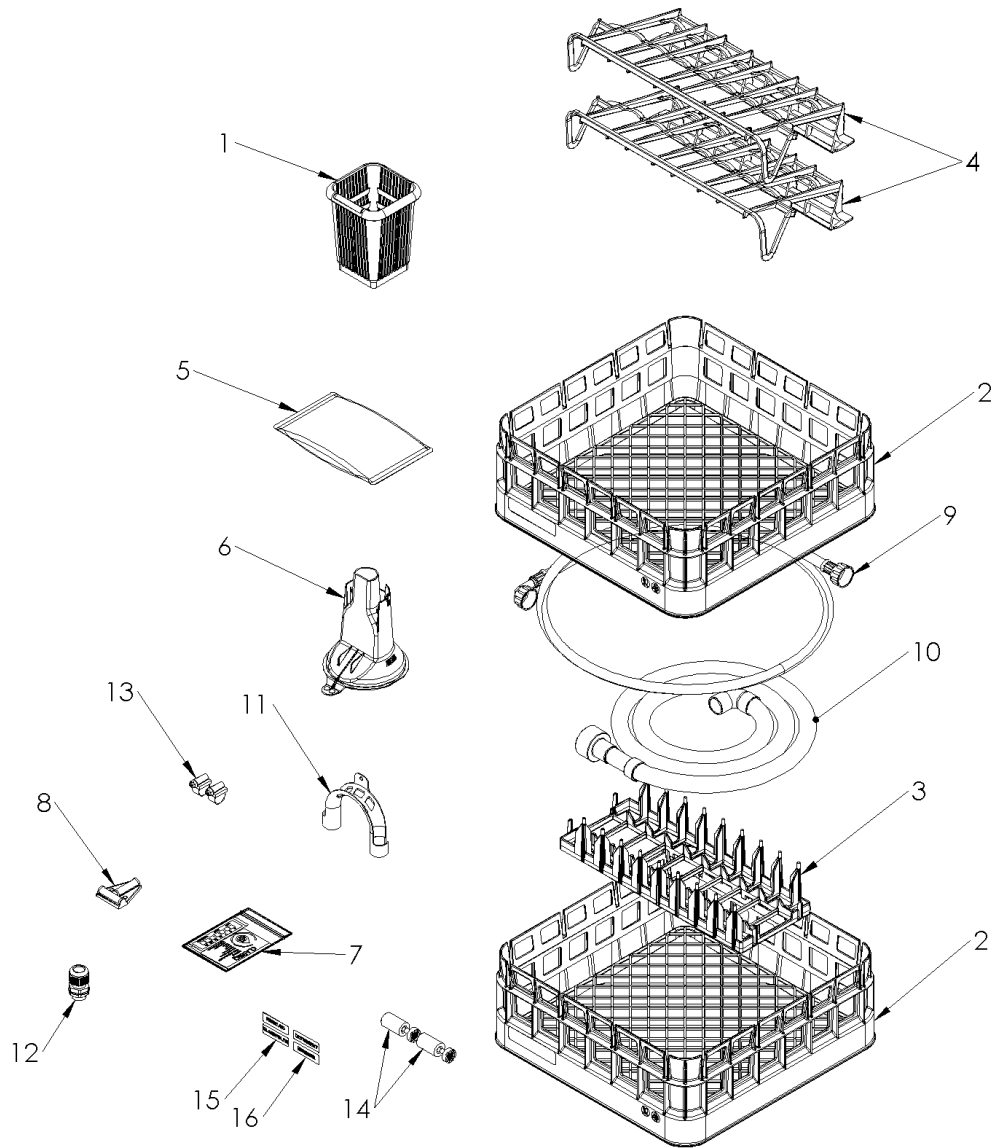


90001614-A

14. Control Assembly – BOM

Item	Description	Part number	QTY.	Note
1	PCB Enclosure - Base	30017898	1	
2	PCB Board Spares ROW	30018818	1	
3	PCB Enclosure - Cover	30017900	1	
4	PCB Enclosure - Fuse Cover	30017899	1	
5	3 Pole Change Over relay	30000984	2	
6	Mains Filter	30018097	1	
7	WAGO 5 pole jumping bar	30008142	1	Refer wiring diagram for quantity
8	Terminal Block - 5 Pole - Grip Type	30001146	1	30A and 3 phase machines
9	Marco Module Plug5, 5Pole	30002002	1	
10	Module Plug (Size 5,0 / 6Pole)	30014140	1	
11	Module Plug (Size 5,0 / 4Pole) Type B	30014138	1	
12	Module Plug (Size 5,0 / 4Pole) Type A	30014137	1	
13	KIT MACRO-MODULE PLUG SIZE 2,5 6-POLE	30002484	1	
14	KIT MACRO-MODULE PLUG SIZE 2,5 3-POLE	30000198	1	
15	2.5x10mm PT screw	30011824	1	
16	3.5x10mm posi pan head PT screw		2	Available with Fastener Kit
17	M5 Flange nut (DIN 6923)		2	Available with Fastener Kit
18	Fuse 16A	30018654	1	
19	Fuse 2.5A	30018653	1	

15. Accessories – 400



90001789-A

15. Accessories – 400 – BOM

Item	Description	Part number	QTY.	Note
1	CBS Cutlery holder	30001167	1	
2	400mm Plastic basket - cup/glass	30001165	2	
3	Plate Insert PI 400	30007213	1	
4	Glass Insert GR 400	30018852	2	
5	25Kg Salt Granular	2005166	1	For Unit with Inbuilt Water softener only
6	UC_Salt Funnel	30017897	1	For Unit with Inbuilt Water softener only
7	Water Testing Kit - Total Hardness	20006948	1	
8	Installation kit- Spirit level	30015135	1	
9	Water supply hose	30001162	1	
10	Drain Hose 2M	60003759	1	
11	Hook for drain hose	30006231	1	
12	M20 Cable gland	30001815	1	
13	J Clip (20-32) W2-12mm with Posi Drive	30018878	2	
14	Bottle weight kit	30012370	2	
15	RINSE AID STICKER (English/German)		1	Not available as a spare
16	DETERGENT STICKER (English/German)		1	Not available as a spare

16. Mains Cables

Item	Description	Part number	QTY.	Note
1	13A Mains Cable UK Plug	30012066	1	
2	3 Phase mains cable - 2016	30012067	1	
3	30A 1PH Mains Cable	30012068	1	
4	15A AU Plug Mains Cable	30012274	1	
5	16A EU Plug Mains Cable	30012266	1	
6	15A Mains Cable without AU Plug	30012265	1	
7	13A Mains Cable without UK Plug	30012065	1	

17. Fastener Kit (30018806)

Item	Description	Part number	QTY.	Note
1	M5 Thin Nylock nut (ISO 10511)		5	Available with Fastener Kit
2	M3 Thin Nylock nut (ISO 10511)		5	Available with Fastener Kit
3	M3x8 Pozi Pan screw A4		5	Available with Fastener Kit
4	M6x20 pozi CSK Screw A4		4	Available with Fastener Kit
5	M6x12 pozi pan screw A4		4	Available with Fastener Kit
6	M4 x 10mm Posi pan head screw		15	Available with Fastener Kit
7	M4 Nylock nut (ISO 7040)		5	Available with Fastener Kit
8	M12 Thin nut		2	Available with Fastener Kit
9	M5 Flange nut (DIN 6923)		25	Available with Fastener Kit
10	M3 Flange nut (DIN 6923)		5	Available with Fastener Kit
11	M5 x 50 hex head screw (ISO 4017)		4	Available with Fastener Kit
12	2.5x10mm PT screw		5	Available with Fastener Kit
13	3.5x10mm posi pan head PT screw		5	Available with Fastener Kit
14	M5 x10mm Posi Head Screw		15	Available with Fastener Kit

18. 60Hz Pump Variants

Item	Description	Part number	QTY.	Note
1	Wash Pump Assembly 60hz	30018136	1	
2	Rinse pump Assembly 60hz	30018596	1	
3	Drain Pump - 60Hz	30018600	1	

Document number: 90001707
Revision: A
Date: 14/12/2023
Language: English