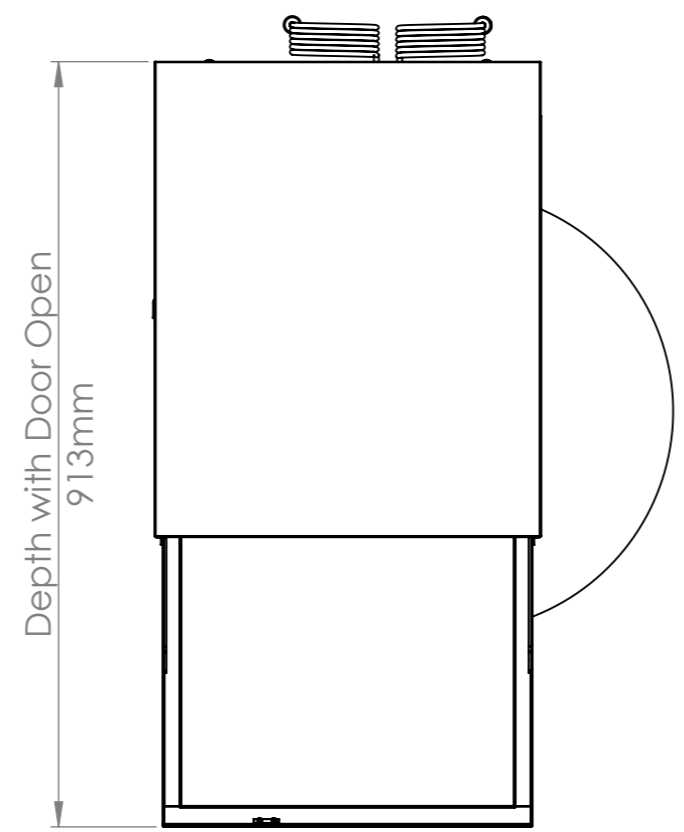
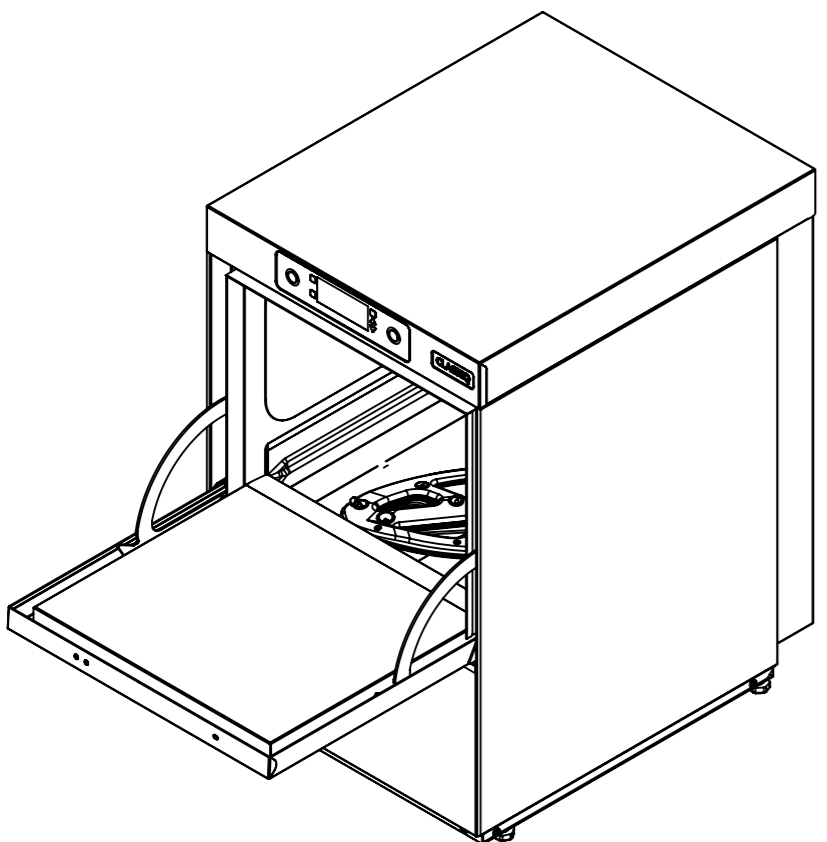
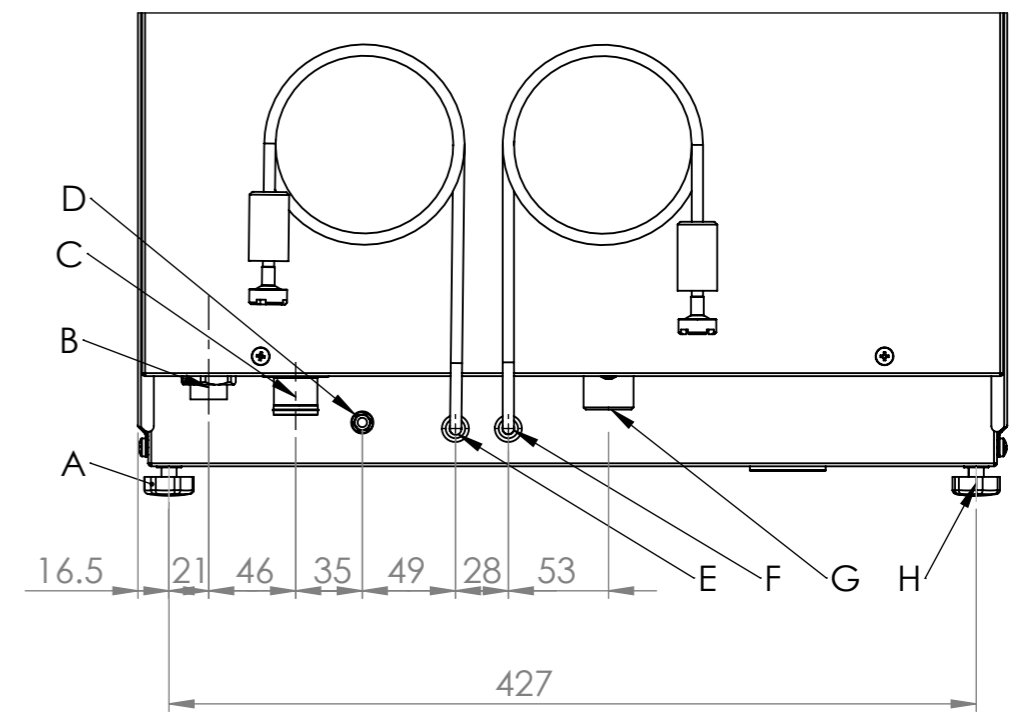
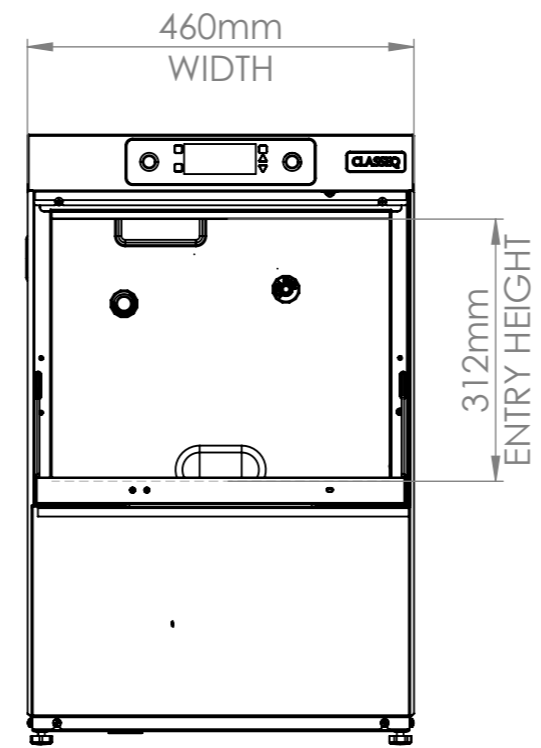
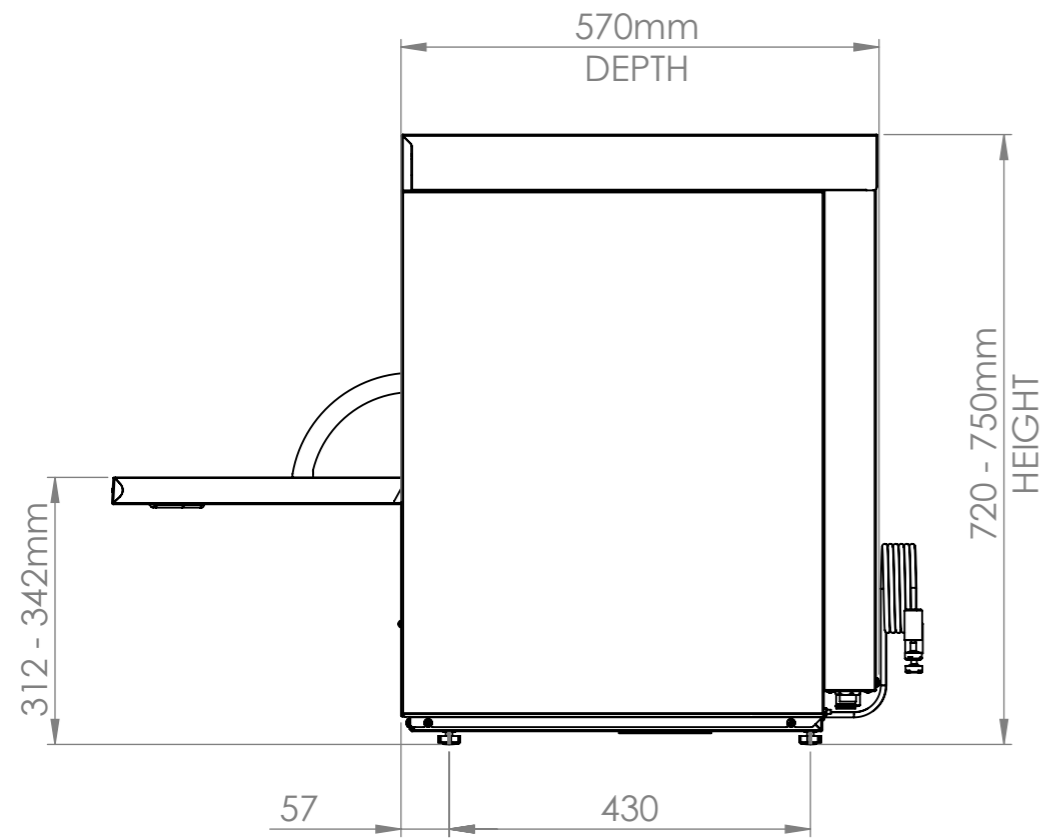


REVISIONS				
ECI	REV.	COMMENT	DATE	BY
0513	B	Depth updated	31/01/2024	AB



- A - Feet (30mm adjustment)
- B - Mains Cable Gland
- C - Drain Connection
- D - Equi-potential connection
- E - Detergent tube Inlet
- F - Rinse Aid tube Inlet
- G - Water supply Inlet connection
- H - Feet (30mm adjustment)

**General Notes:**  
 1).....All sharp edges & burrs MUST be removed from finished components.  
 2).....All finished components MUST be free from any defects.

**CLASSEQ**  
 Classeq Ltd.  
 Classeq House  
 Beacon Business Park  
 Beacon Way  
 Stafford  
 ST18 0DG  
 United Kingdom

**IF IN DOUBT ASK**

NAME	DATE	STATUS:		
APP	14/02/2023	Production		
MATERIAL:		DESCRIPTION:		
See Table		C400 & C400WS		
FINISH:	SIZE	DRAWING NO.:	REV.:	
	A3	90001662	B	
DO NOT SCALE 3D DATA IS MASTER DIMENSIONING WITH REFERENCE TO BS8888		WEIGHT:	SCALE:1:9	Sheet 2 of 2
		23530.63g	OUTSIDE DIMS.: H: APP W: APP D: APP	