

# P500 Pass Through Dishwasher

Technical Specifications



**CLASSEQ**  
Warewashing Made Simple.

# P500

High volume, simple to use, water mark certification dishwashers, suitable for straight-through or corner sited operations.

Classeq's range of digital Pass-through dishwashers (also known as hood types) are perfectly suited to any busy kitchen and are capable of cleaning up to 720 plates per hour. With a 39 litre wash tank, running costs are kept to a minimum and features such as continuous hood clean and removable wash arms ensure that they are easy to clean.

All machines have simple to use digital controls, an LCD display to show wash and rinse tank temperatures and select cycle programs, plus are fully Water Board compliant. Drain pumps and Chemical pumps as standard.



# Warewashing made simple:

**UK Manufactured**  
Our machines are Made in Britain (Staffordshire).

**Three Wash Programs**  
1.5, 3 and 5 minutes

**User Friendly**  
We've maximised our user experience through, two simple button controls.

**Water Mark Certification**

**Liquid Crystal Display**  
A new and improved LCD display screen.

## Machine Features:

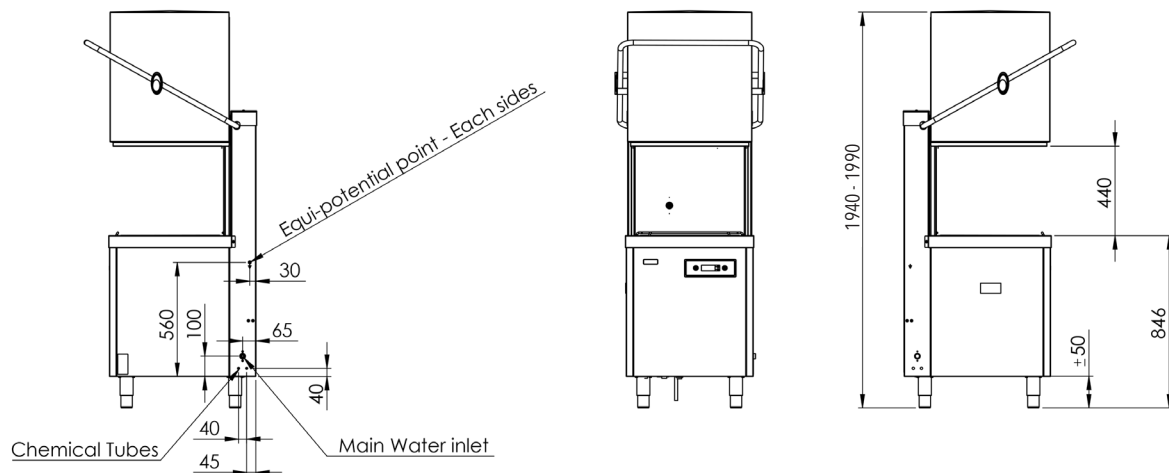
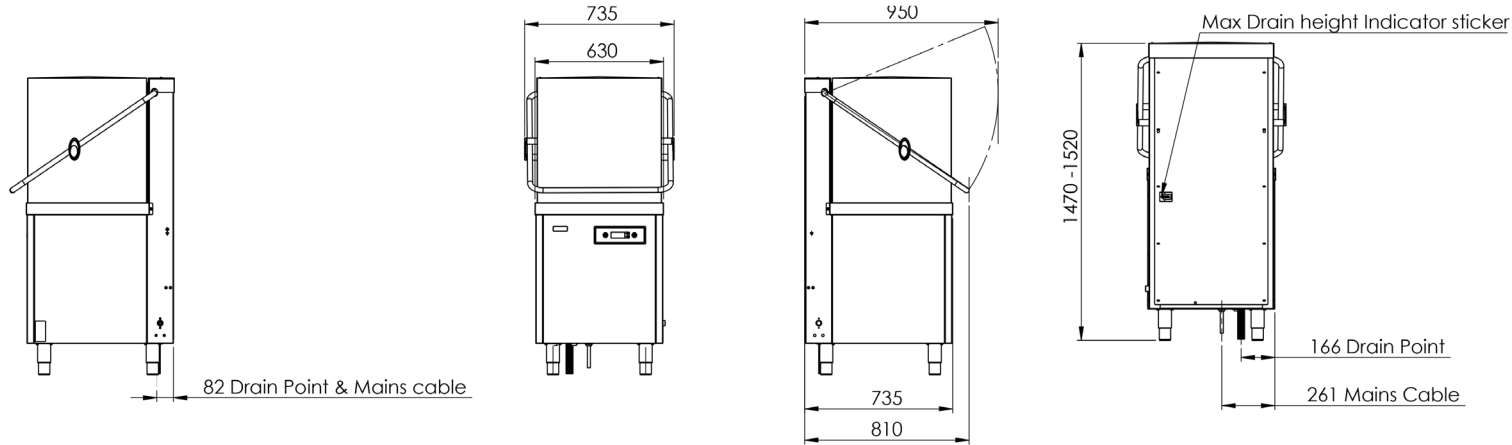
1 <b>500mm x 500mm basket</b>	2 <b>Standard Built-in chemical pumps</b>	3 <b>Removable basket guides</b>	8 <b>High volume Dishwasher</b>
5 <b>Dual wash filter system</b>	6 <b>Temperature interlock - guarantees hot rinse</b>	7 <b>Continuous Hood Clean System</b>	

Dimensions	
Width	630mm
Depth	720mm
Height - Hood Open	1940-1990mm
Height - Hood Closed	1470-1520mm
Maximum clear entry height	440mm
Water inlet height floor level	265-315mm
Drain height floor level	0-700mm
Drain size	Ø40mm
Rack size	500mm <sup>2</sup>
Hydraulic specifications	
Water supply connection	3/4"
Required water pressure	2.0 bar
Required water flow rate	11Ltrs/min 4Ltrs/min (WS)
Electrical specifications	
Operating voltage Standard	380-415AC/50/3N
Operating voltage Optional	220-240AC/50/1N
Amps required - 1 Phase Water fed @ optional	40°C - 15 amp
Amps required - 3 Phase Water fed @	40°C - 20 amp
Rinse boiler heating 380-415AC/50/3N 220-240AC/50/1N	6.00kW 2.00kW
Total Connected Load 380-415AC/50/3N 220-240AC/50/1N	6.68kW 2.68kW
Performance	
Theoretical maximum racks/hour	40
Max no. of plates per rack	18
Cycle Times (mins)	1.5 / 3 / 5
Operating noise level	<70dB
Net weight	130kg
Wash pump size	0.58kW
Wash pump capacity	380Ltrs/min
Wash tank capacity	39Ltrs
Wash tank heating	4.05kW/1.35kW
Wash tank temperature	55°C
Rinse boiler capacity	7.5Ltrs
Rinse boiler temperature	82°C
Rinse water consumption at 2 bar	3.25Ltrs

# Mechanical Specifications

## Additional Info:

Wash water temperature	55°C
Dish Washer rinse temperature	80°C
Noise level	Under 70dB



## Dimensions (mm):

630 (W) x 1940 - 1990 open / 1470 - 1520 closed (H) x 720 (D)

Please Note: All dimensions in mm

## Contact:

Telephone: +61 2 9645 3221

Email: [sales@winterhalter.com.au](mailto:sales@winterhalter.com.au)

1 Glendenning Rd,

Glendenning, NSW, 2761

[www.classeq.com.au](http://www.classeq.com.au)

**CLASSEQ**  
Warewashing Made Simple.